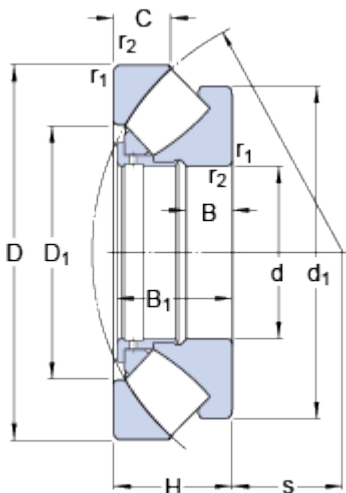


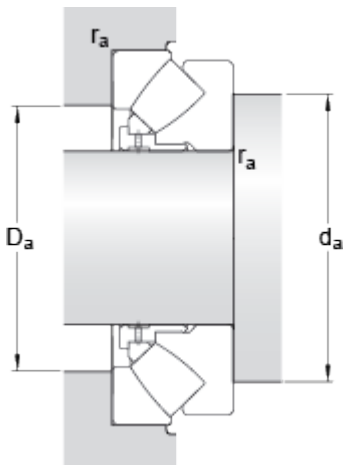
29288 E

Dimensions



d	440	mm
D	600	mm
H	95	mm
d_1	≈ 585	mm
D_1	≈ 508	mm
B	30	mm
B_1	91	mm
C	46.5	mm
s	235	mm
$r_{1,2}$	min. 5	mm

Abutment dimensions



d_a	min. 520	mm
D_a	max. 545	mm
r_a	max. 4	mm

Calculation data

Basic dynamic load rating	C	2070	kN
Basic static load rating	C_0	10400	kN
Fatigue load limit	P_u	850	kN
Reference speed		630	r/min
Limiting speed		1000	r/min
Minimum axial load factor	A	10	

Mass

Mass bearing		78	kg
--------------	--	----	----